

# KuBlack

## HIGH EFFICIENCY MONO PERC MODULE

### CS3K-295 | 300 | 305 | 310MS

#### (1000 V / 1500 V)

#### MORE POWER



Low power loss in cell connection



Low NMOT:  $42 \pm 3 \text{ }^\circ\text{C}$   
Low temperature coefficient (Pmax):  $-0.37 \text{ } \%/ \text{ }^\circ\text{C}$



Better shading tolerance

#### MORE RELIABLE



Minimizes micro-cracks



Lower hot spot temperature



Heavy snow load up to 6000 Pa,  
wind load up to 4000 Pa\*



linear power output warranty



product warranty on materials  
and workmanship

#### MANAGEMENT SYSTEM CERTIFICATES

ISO 9001:2008 / Quality management system  
ISO 14001:2004 / Standards for environmental management system  
OHSAS 18001:2007 / International standards for occupational health & safety

#### PRODUCT CERTIFICATES\*

IEC 61215 / IEC 61730: VDE / CE / MCS / CEC AU  
UL 1703 / IEC 61215 performance: CEC listed (US) / FSEC (US Florida)  
UL 1703: CSA / IEC61701 ED2: VDE / IEC62716: VDE  
Take-e-way

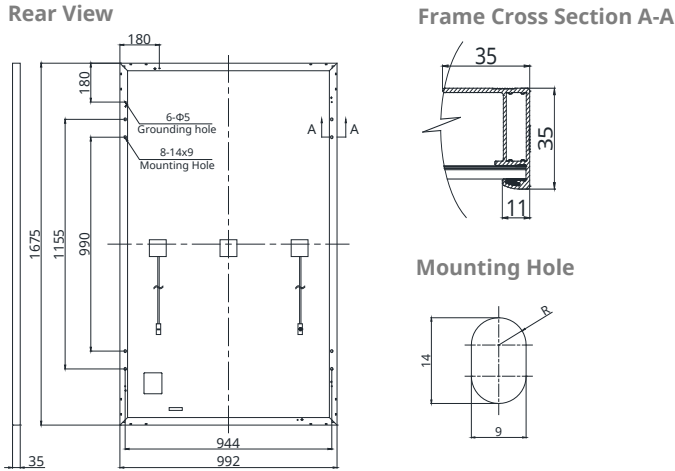


\*We can provide this product with special BOM specifically certified with salt mist and ammonia tests. Please talk to our local technical sales representatives to get your customized solutions.

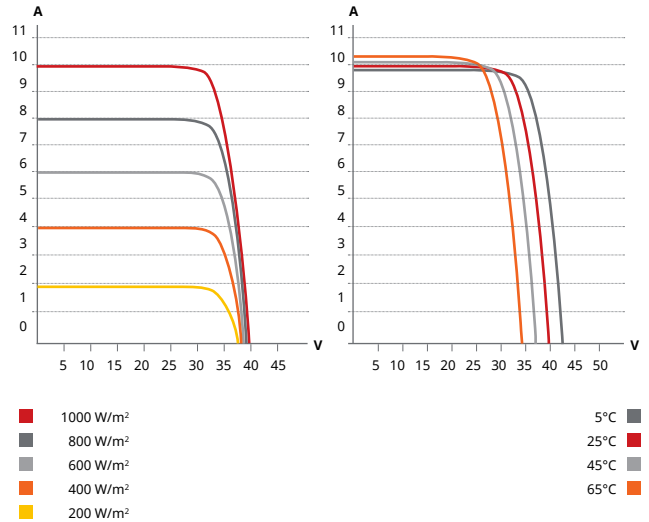
**CANADIAN SOLAR INC.** is committed to providing high quality solar products, solar system solutions and services to customers around the world. No. 1 module supplier for quality and performance/price ratio in IHS Module Customer Insight Survey. As a leading PV project developer and manufacturer of solar modules with over 30 GW deployed around the world since 2001.

\* For detailed information, please refer to Installation Manual.

## ENGINEERING DRAWING (mm)



## KuBlack CS3K-305MS / I-V CURVES



## ELECTRICAL DATA | STC\*

KuBlack CS3K	295MS	300MS	305MS	310MS
Nominal Max. Power (Pmax)	295 W	300 W	305 W	310 W
Opt. Operating Voltage (Vmp)	32.3 V	32.5 V	32.7 V	32.9 V
Opt. Operating Current (Imp)	9.14 A	9.24 A	9.33 A	9.43 A
Open Circuit Voltage (Voc)	39.1 V	39.3 V	39.5 V	39.7 V
Short Circuit Current (Isc)	9.73 A	9.82 A	9.90 A	9.98 A
Module Efficiency	17.75%	18.05%	18.36%	18.66%
Operating Temperature	-40°C ~ +85°C			
Max. System Voltage	1500V (IEC/UL) or 1000V (IEC/UL)			
Module Fire Performance	TYPE 3 / Type 13 (UL 1703) or CLASS A (IEC61730)			
Max. Series Fuse Rating	30 A			
Application Classification	Class A			
Power Tolerance	0 ~ + 5 W			

\* Under Standard Test Conditions (STC) of irradiance of 1000 W/m², spectrum AM 1.5 and cell temperature of 25°C.

## ELECTRICAL DATA | NMOT\*

KuBlack CS3K	295MS	300MS	305MS	310MS
Nominal Max. Power (Pmax)	219 W	223 W	227 W	230 W
Opt. Operating Voltage (Vmp)	29.8 V	30.0 V	30.2 V	30.4 V
Opt. Operating Current (Imp)	7.35 A	7.43 A	7.50 A	7.58 A
Open Circuit Voltage (Voc)	36.7 V	36.8 V	37.0 V	37.2 V
Short Circuit Current (Isc)	7.85 A	7.92 A	7.99 A	8.05 A

\* Under Nominal Module Operating Temperature (NMOT), irradiance of 800 W/m², spectrum AM 1.5, ambient temperature 20°C, wind speed 1 m/s.

## MECHANICAL DATA

Specification	Data
Cell Type	Mono-crystalline
Cell Arrangement	120 [2 X (10 X 6)]
Dimensions	1675 X 992 X 35 mm (65.9 X 39.1 X 1.38 in)
Weight	18.5 kg (40.8 lbs)
Front Cover	3.2 mm tempered glass
Frame	Anodized aluminium alloy
J-Box	IP68, 3 bypass diodes
Cable	4.0 mm² (IEC), 12 AWG (UL),
Cable Length	Portrait: 400 mm (15.7 in) (+) / 280 mm (Including Connector) (11.0 in) (-); landscape: 1160 mm (45.7 in)*
Connector	T4 series
Per Pallet	30 pieces
Per Container (40' HQ)	840 pieces

\* For detailed information, please contact your local Canadian Solar sales and technical representatives.

## TEMPERATURE CHARACTERISTICS

Specification	Data
Temperature Coefficient (Pmax)	-0.37 % / °C
Temperature Coefficient (Voc)	-0.29 % / °C
Temperature Coefficient (Isc)	0.05 % / °C
Nominal Module Operating Temperature	42 ± 3°C

## PARTNER SECTION



\* The specifications and key features contained in this datasheet may deviate slightly from our actual products due to the on-going innovation and product enhancement. Canadian Solar Inc. reserves the right to make necessary adjustment to the information described herein at any time without further notice.

## CANADIAN SOLAR INC.

545 Speedvale Avenue West, Guelph, Ontario N1K 1E6, Canada, [www.canadiansolar.com](http://www.canadiansolar.com), [support@canadiansolar.com](mailto:support@canadiansolar.com)